



### Any Location

The development of our products & services allow us to deploy & deliver to any location.



### Any Carrier

Regardless the type of carrier service available, INdigital designs multifaceted self-healing networks that our clients have confidence in.

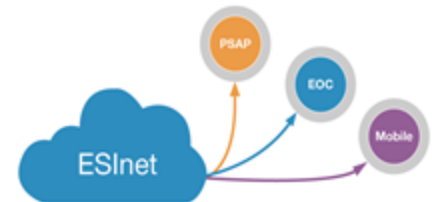


### Any Time

Disaster can strike at any time. That's why our support & services are available 24/7, 365.

# Voice

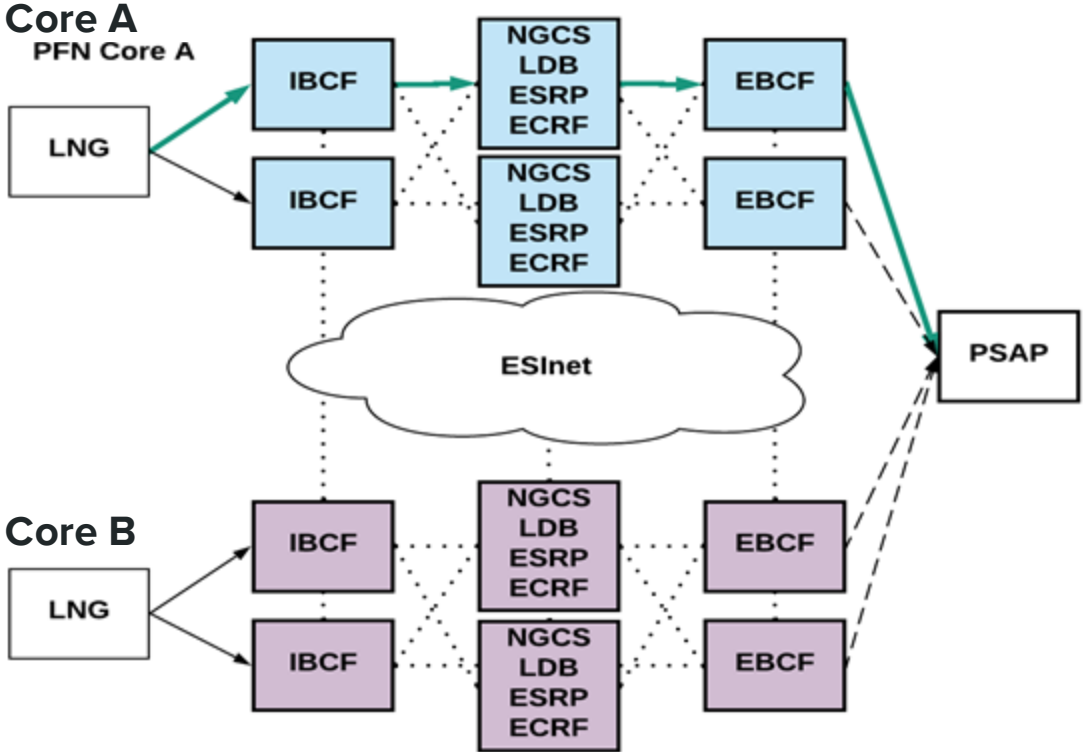
# Continuity of Service



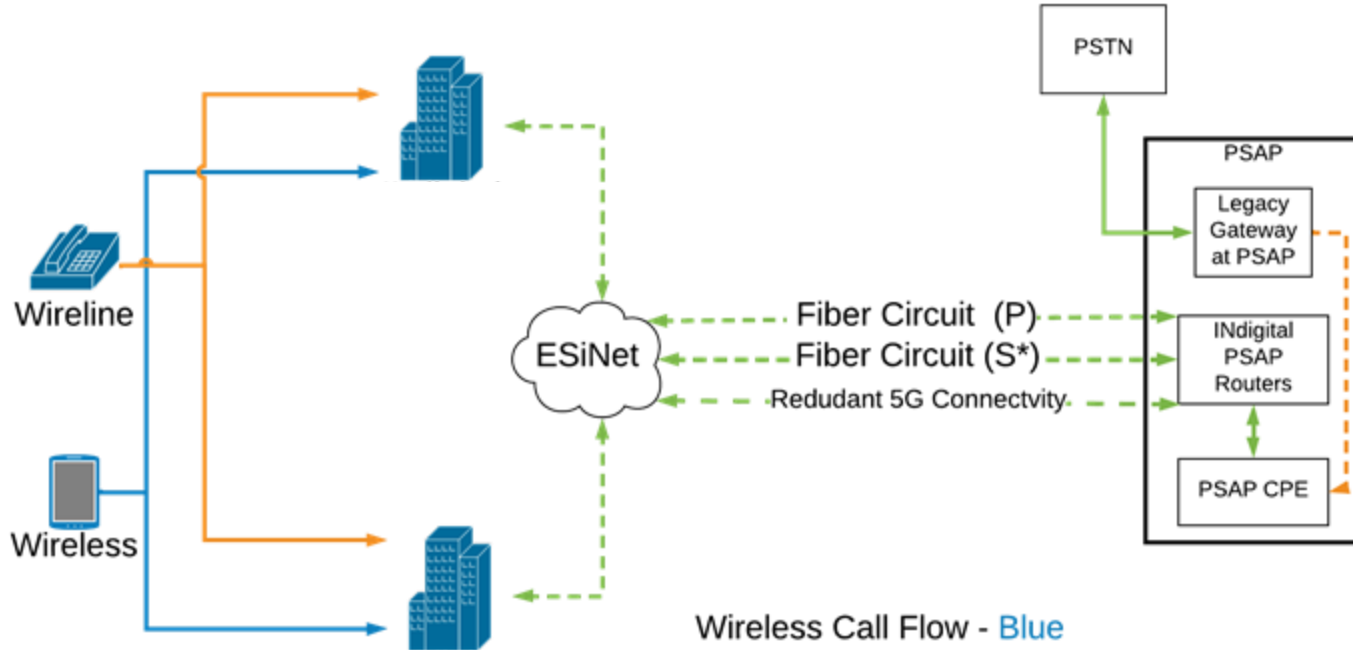
# Why this matters to you



# Redundancy in Functional Elements



# Redundancy in Network

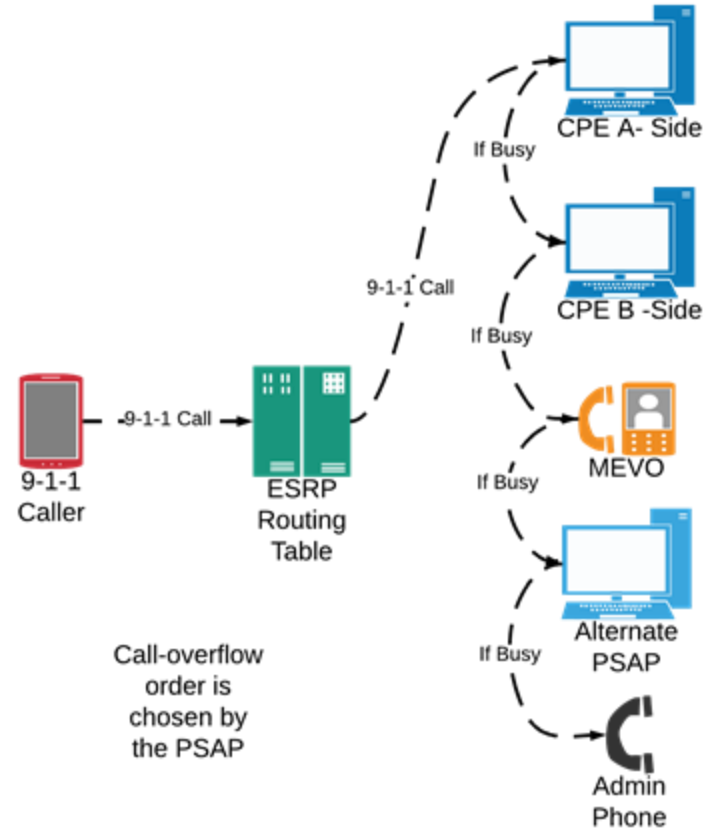


Wireless Call Flow - Blue  
Wireline Call Flow - Orange  
Combined Call Flow - Green  
(P) - Primary  
(S\*) - Secondary where available

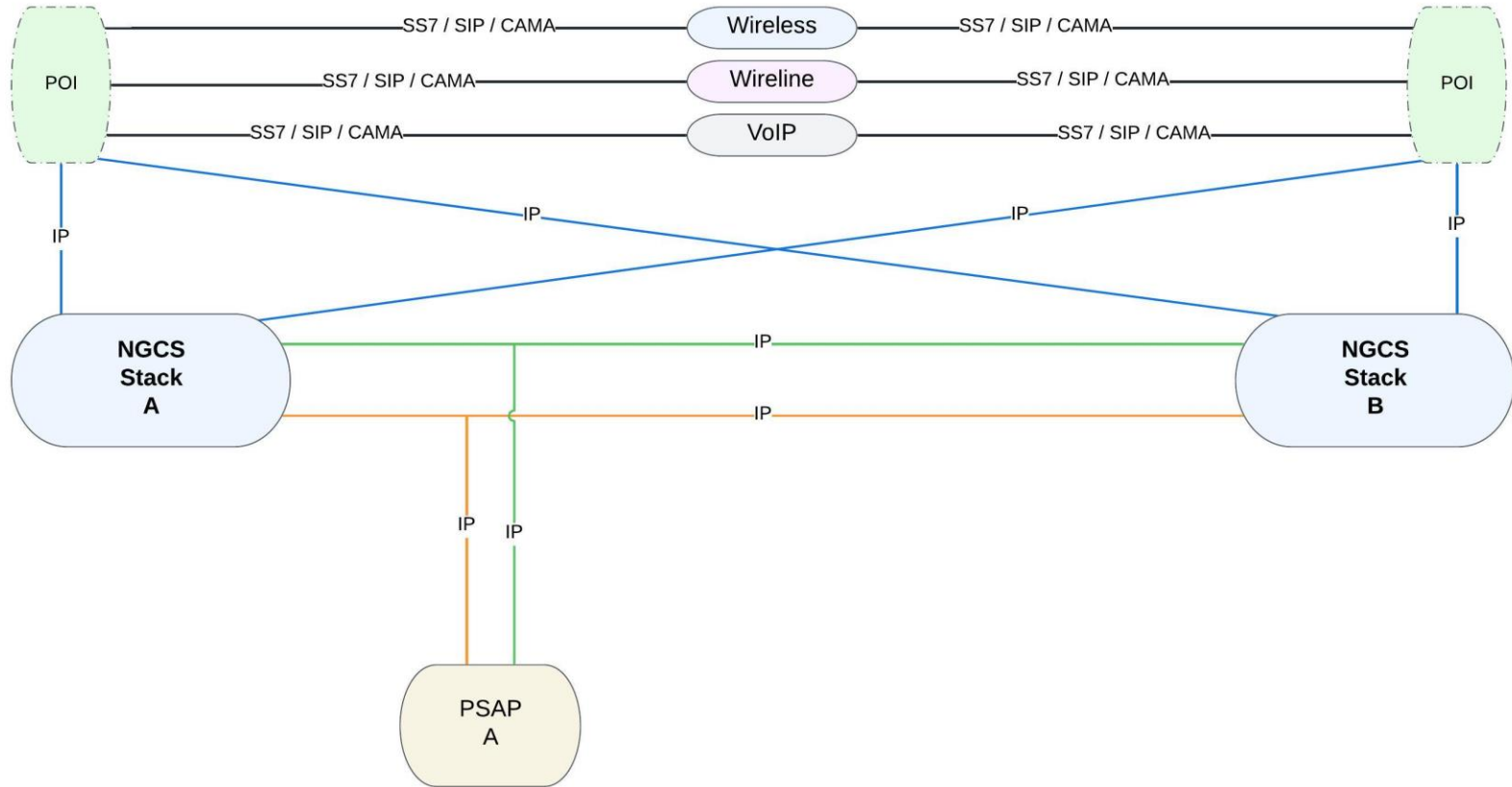
# Redundancy in Call Delivery

The ECC governs the overflow order.

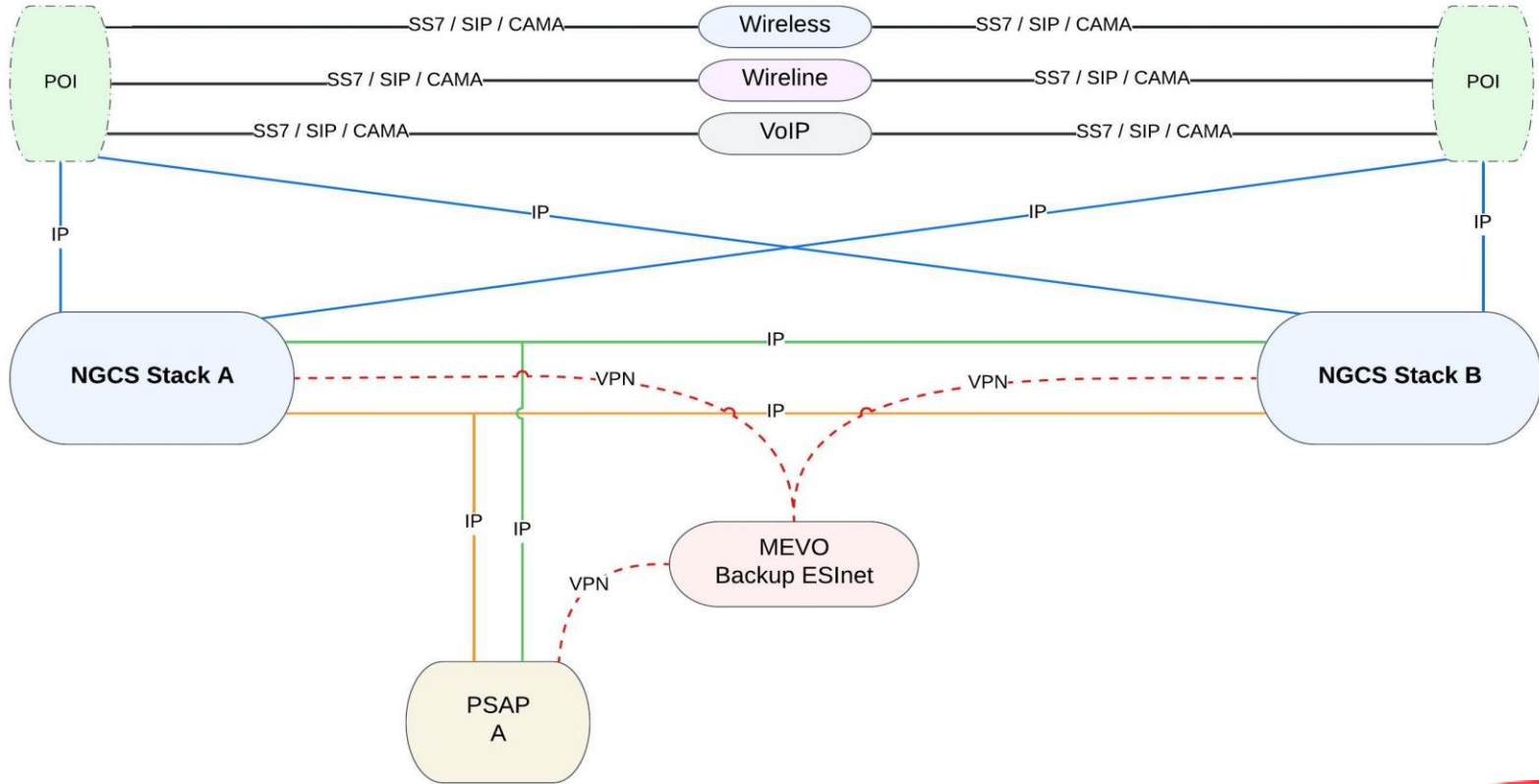
- Primary CHE (A-SIDE)
- Secondary CHE (B-SIDE)
- MEVO
- Alternate ECC
- ENCORE



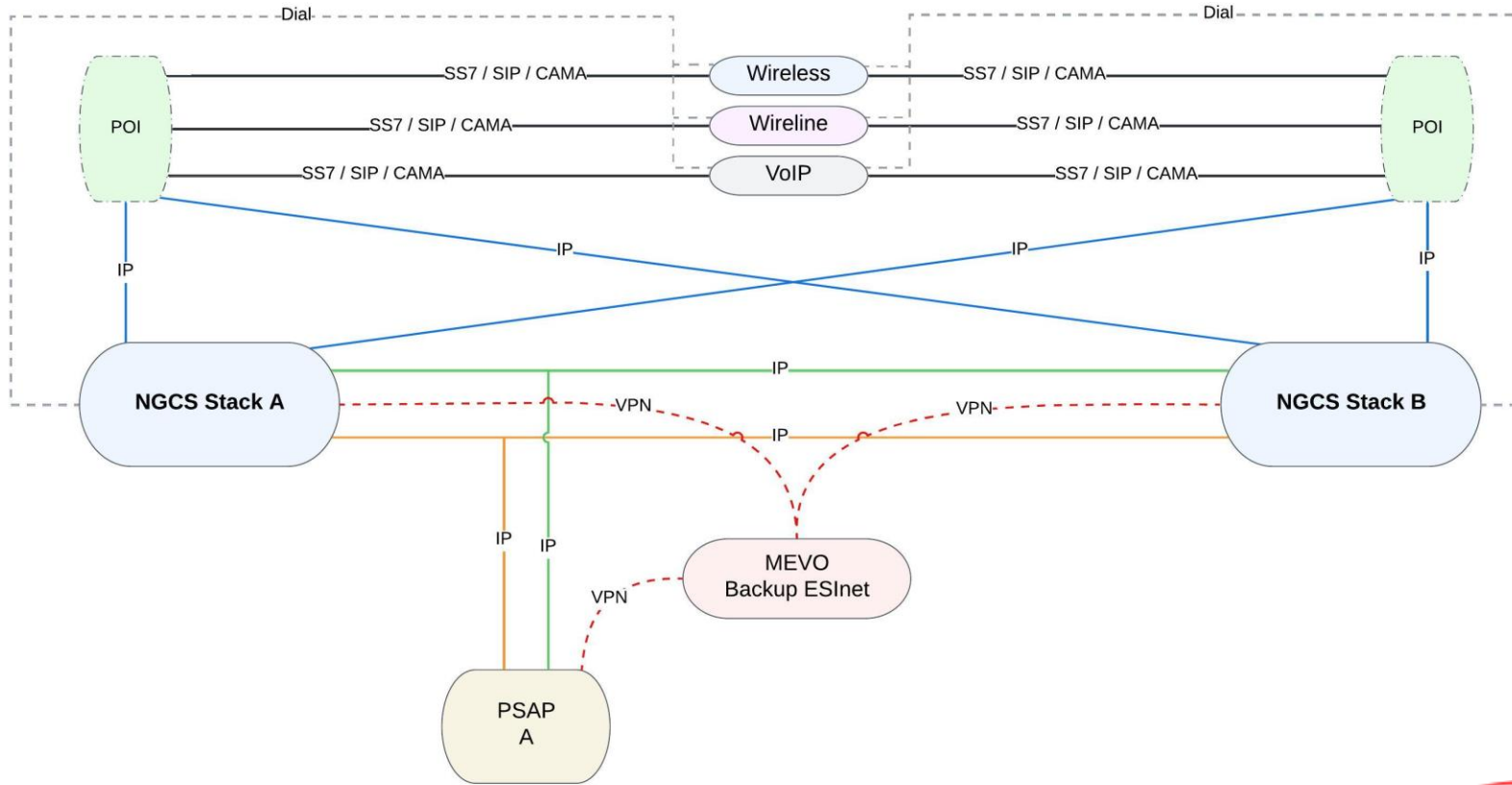
# Single Back Room Design



# Single Back Room with MEVO Design

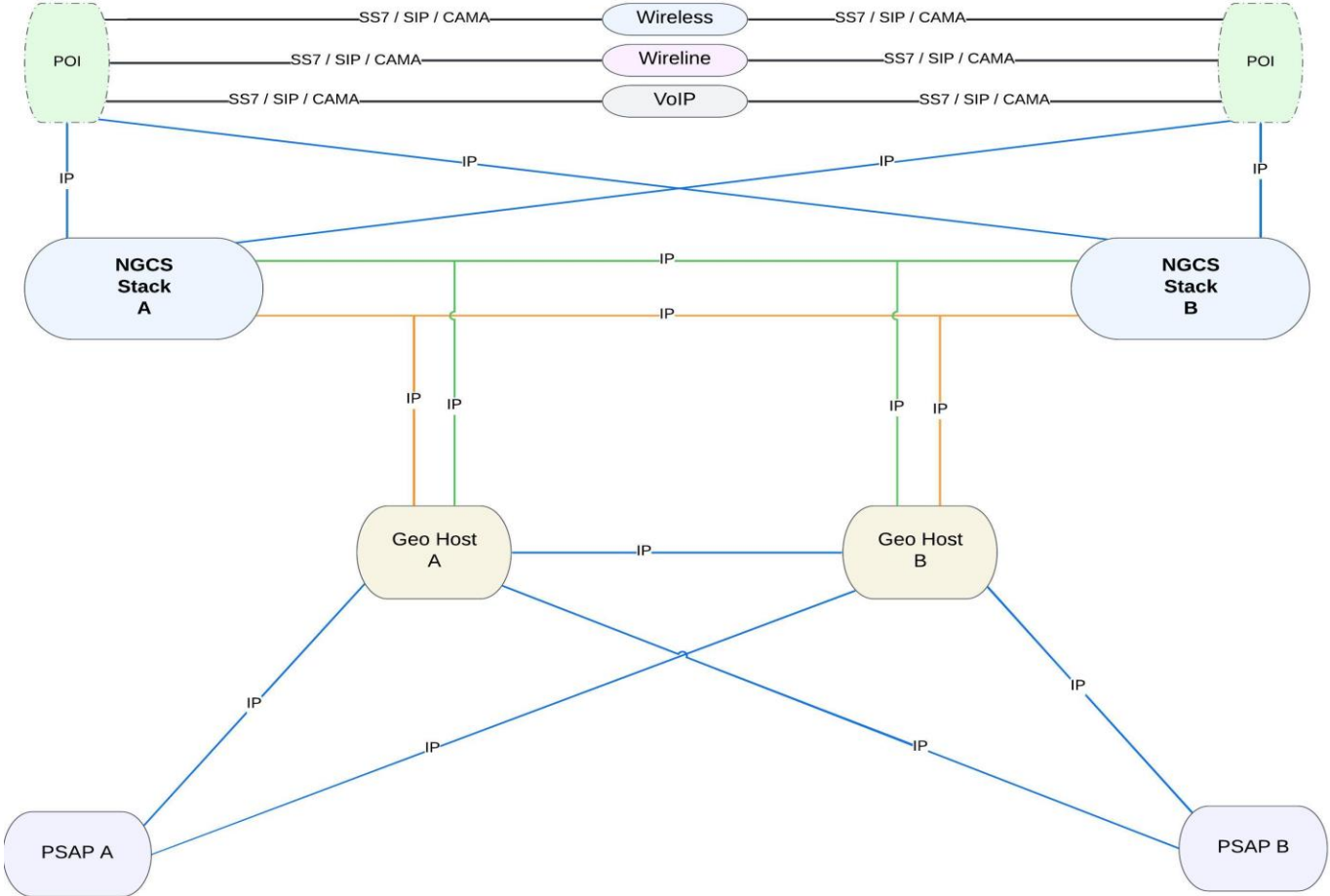


# Single Back Room with MEVO and Dial Design

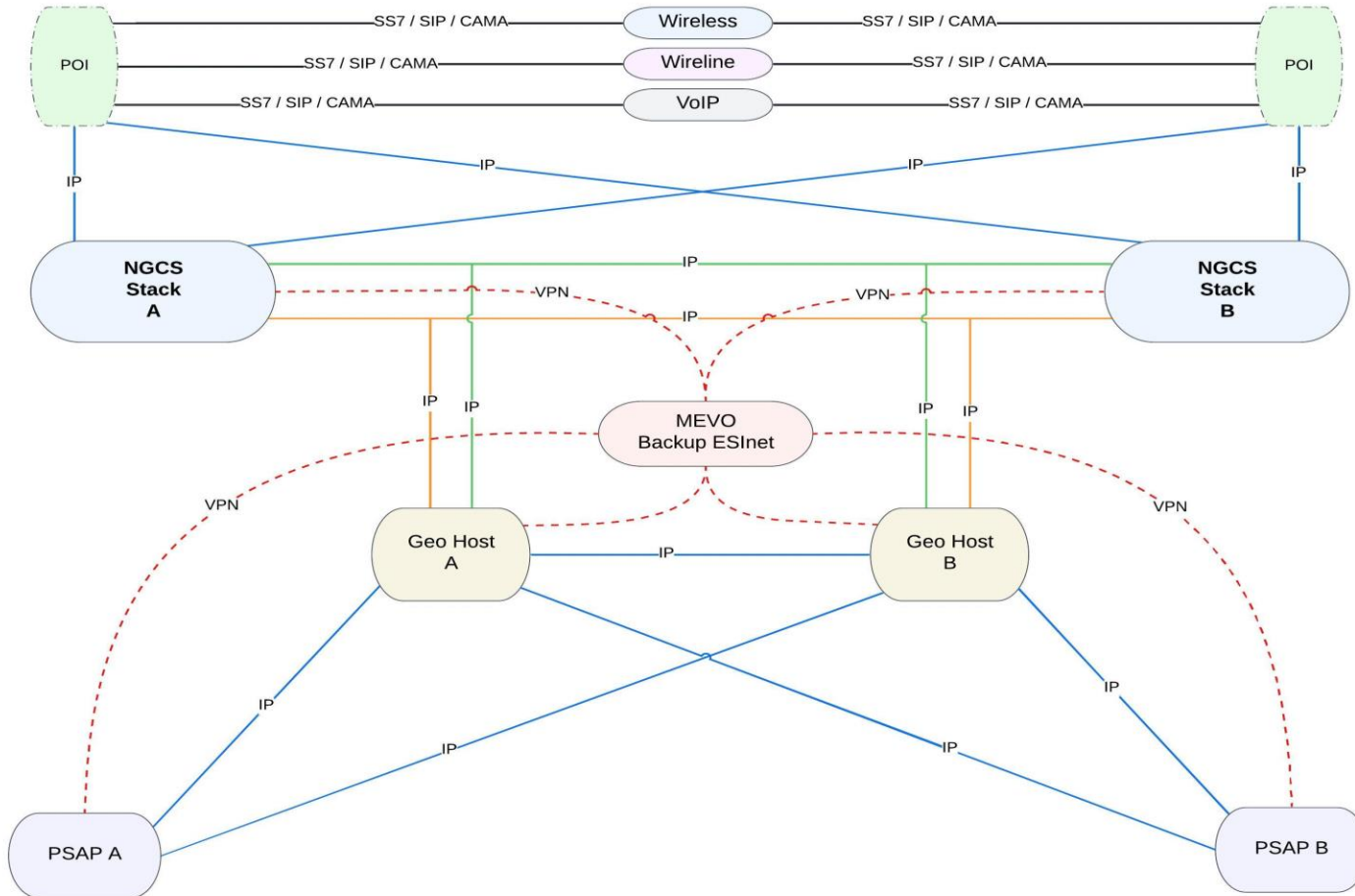




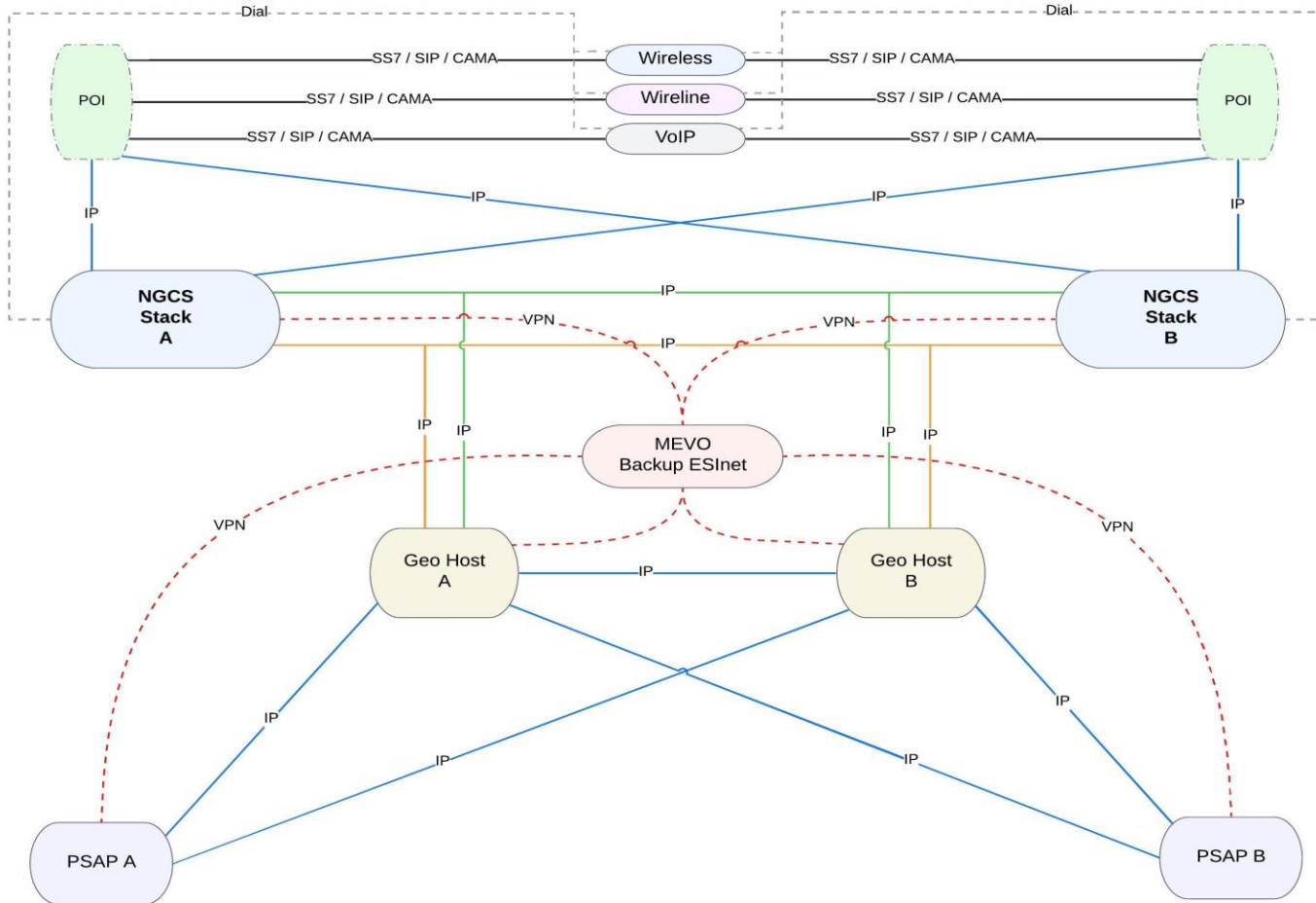
# Geo Redundant Design Option



# Geo Redundant with MEVO Design



# Geo Redundant with MEVO and Dial Design





### Any Location

The development of our products & services allow us to deploy & deliver to any location.



### Any Carrier

Regardless the type of carrier service available, INdigital designs multifaceted self-healing networks that our clients have confidence in.



### Any Time

Disaster can strike at any time. That's why our support & services are available 24/7, 365.

# INdigital

# MEVO



**MEVO** 

**System**

A collection of devices and technologies that operate together to form a completely independent backup and disaster recovery platform that has been engineered for PSAP's and Emergency Communications Centers.





# Features

- **Backup 911**
- **Backup Admin PBX**
- **Conference**
- **Barge**
- **Transfer (9-1-1 / PSTN)**
- **Admin line (dial in/out)**
- **Call Back (single button)**
- **Recording**
- **Map**
- **Formatted ALI**
- **Push to CAD and MAP**
- **Call History**





# Equipment

Routers, IP Phones, UPS and Network





# Deployment

**MEVO** - Refers to the use of MEVO Stations serviced via the INdigital National ESInet.

**MEVO Anywhere** - Refers to the Disaster Recovery deployment of MEVO IP Stations from a ruggedized mobile kit.





# MEVO Anywhere Kit





# Recap

- 9-1-1 Call Handling Features
- 9-1-1 / NG9-1-1 Interoperability and backup
- Completely independent 911 call handling platform.



# Support

- INdigital QRC/NOC
  - Staffed 24/7/365
  - Tier 2 & 3 Access
  - Monitoring, Oversight
  - SLA Adherence





# Open Discussion